

TOSHIBA CMOS Digital Integrated Circuit Silicon Monolithic

TC7WPB306FC,TC7WPB306FK TC7WPB307FC,TC7WPB307FK

Low Voltage/Low Power 2-Bit Dual Supply Bus Switch

The TC7WPB306 and TC7WPB307 are high-speed CMOS two-bit bus switches with low ON-resistance that allow interfacing between different voltage nodes.

These devices have two separate power supplies, VL for a 1.8-V, 2.5-V or 3.3-V bus and VH for a 2.5-V, 3.3-V or 5.0-V bus.

For bidirectional level-shifting, the VH pin is connected to a high-voltage power supply through a bias resistor, and pull-up resistors are connected between the high-voltage power supply and the switch.

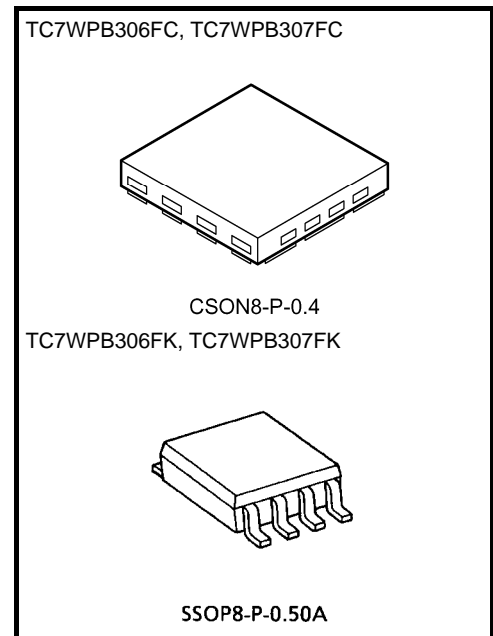
The enable signal can be used to disable the device so that the buses are effectively isolated.

For the TC7WPB306, Output Enable (OE) is active-High: When OE is High, the switch is on; when Low, the switch is off. For the TC7WPB307, Output Enable (\overline{OE}) is active-Low: When \overline{OE} is Low, the switch is on; when High, the switch is off.

The TC7WP306 and TC7WP307 support power-down protection by incorporating 5.5-V-tolerant control inputs.

The bus switch channels are fabricated with NMOS technology.

All inputs are equipped with protection circuits against static discharge or transient excess voltage.



Weight

CSON8-P-0.4 : 0.002 g (typ.)

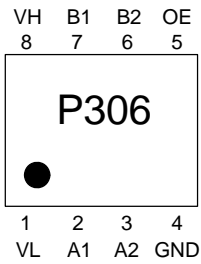
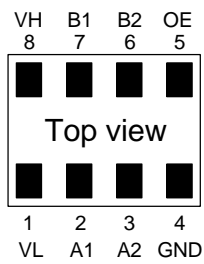
SSOP8-P-0.50A : 0.01 g (typ.)

Features

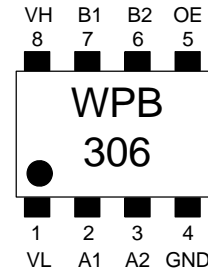
- Operating voltage: 1.8-V to 2.5-V, 1.8-V to 3.6-V, 1.8-V to 5.5-V, 2.3-V to 3.6-V, 2.3-V to 5.5-V or 3.0-V to 5.5-V bidirectional interface
- Operating voltage: VL = 1.65 to 5.0 V, VH = VL + 0.5 to 5.5 V
- High-speed operation: $t_{pd} = 0.12\text{ns}(\text{max})$
(VL = 3.0 V, VH = 4.5 V)
- Low ON-resistance: $R_{ON} = 3.0 \Omega$ (typ.)
(ON-resistance test circuit: $V_{IS} = 0 \text{ V}$, $I_{IS} = 30 \text{ mA}$, $V_H = 4.5 \text{ V}$)
- ESD performance: Machine model $\geq \pm 200 \text{ V}$
Human body model $\geq \pm 2000 \text{ V}$
- 5.5-V tolerance and power-down protection at the Output Enable input.
- Packages: CSON8 (CST8), SSOP8 (US8)

Pin Assignment (top view), Marking

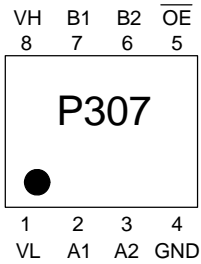
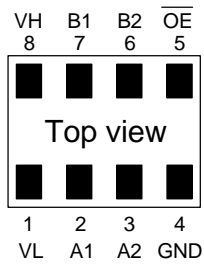
TC7WPB306FC



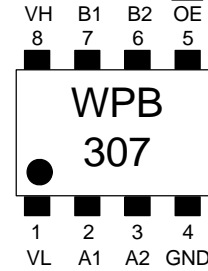
TC7WPB306FK



TC7WPB307FC



TC7WPB307FK

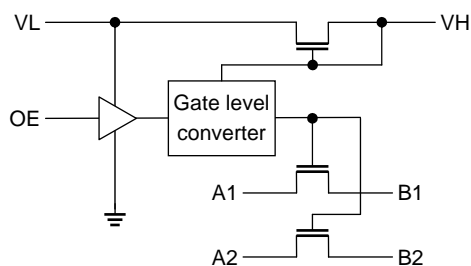


Truth Table

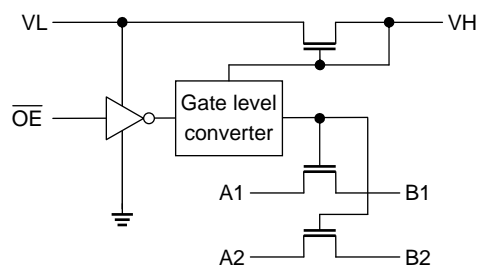
Input (306)	Function	Input (307)	Function
OE		\overline{OE}	
H	$A_n = B_n$	H	Disconnected
L	Disconnected	L	$A_n = B_n$

Circuit Schematic

TC7WPB306



TC7WPB307



Absolute Maximum Ratings (Note)

Characteristics	Symbol	Rating	Unit
Power supply voltage	VL	-0.5 to 7.0	V
	VH	-0.5 to 7.0	
Control input voltage (OE (306)/OE (307))	V _{IN}	-0.5 to 7.0	V
Switch input/output voltage	V _S	-0.5 to 7.0	V
Clump diode current	I _{IK}	-50	mA
Switch input/output current	I _S	128	mA
DC V _{CC} /ground current per supply pin	I _{VL}	±25	mA
	I _{VH}	±25	
Power dissipation	P _D	150 (CSON8) 200 (SSOP8)	mW
Storage temperature	T _{stg}	-65 to 150	°C

Note: Exceeding any of the absolute maximum ratings, even briefly, lead to deterioration in IC performance or even destruction.

Using continuously under heavy loads (e.g. the application of high temperature/current/voltage and the significant change in temperature, etc.) may cause this product to decrease in the reliability significantly even if the operating conditions (i.e. operating temperature/current/voltage, etc.) are within the absolute maximum ratings and the operating ranges.

Please design the appropriate reliability upon reviewing the Toshiba Semiconductor Reliability Handbook ("Handling Precautions"/"Derating Concept and Methods") and individual reliability data (i.e. reliability test report and estimated failure rate, etc).

Operating Ranges (Note 1)

Characteristics	Symbol	Rating	Unit
Power supply voltage (Note 2)	VL	1.65 to 5.0	V
	VH	2.3 to 5.5	
Control input voltage	V _{IN}	0 to 5.5	V
Switch input/output voltage	V _S	0 to 5.5	V
Operating temperature	T _{opr}	-40 to 85	°C
Control input rise and fall times	dt/dv	0 to 10	ns/V

Note 1: The operating ranges must be maintained to ensure the normal operation of the device.

Note 2: The voltage difference between the VL and the VH must be 0.5 V or greater. (VL < VH)

Application Circuit

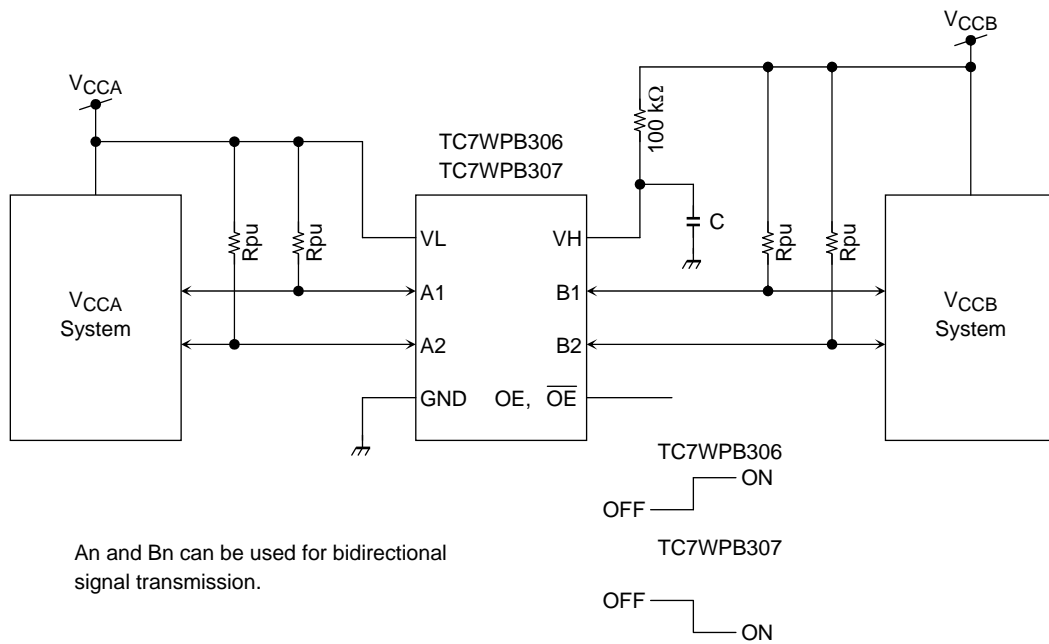


Figure 1 Application Circuit Diagram

The voltage difference between the (low-voltage) V_{CCA} system and the (high-voltage) V_{CCB} system must be 0.5 V or greater. ($V_{CCA} < V_{CCB}$)

For level-shifting between the V_{CCA} and V_{CCB} systems, connect a bias resistor between the VH pin and the V_{CCB} system, and also connect pull-up resistors to An and Bn pins.

Electrical Characteristics

DC Characteristics (Ta = -40 to 85°C)

Characteristics		Symbol	Test Condition	VL (V)	VH (V)	Ta = -40 to 85°C		Unit
						Min	Max	
Control input voltage	High-level	VIH	OE (306), \overline{OE} (307)	1.65 ≤ VL < 2.3	(VL + 0.5) to 5.5	0.8 × VL	—	V
				2.3 ≤ VL ≤ 5.0	(VL + 0.5) to 5.5	0.7 × VL	—	
	Low-level	VIL	OE (306), \overline{OE} (307)	1.65 ≤ VL < 2.3	(VL + 0.5) to 5.5	—	0.2 × VL	
				2.3 ≤ VL ≤ 5.0	(VL + 0.5) to 5.5	—	0.3 × VL	
ON-resistance (Note)	RON	VIS = 0 V, IS = 30 mA (Figure 2)	—	2.3	—	9.5	Ω	
			—	3.0	—	7.0		
			—	4.5	—	5.5		
Power off leakage current	IOFF	An, Bn = 0 ~ 5.5V	0	0	—	±1.0	μA	
Switch-off leakage current	ISZ	An, Bn = 0 to 5.5 V $\overline{OE} = VL, OE = GND$	1.65 to 5.0	(VL + 0.5) to 5.5	—	±1.0	μA	
Control input current	IIN	\overline{OE} or OE = 0 to 5.5 V	1.65 to 5.0	(VL + 0.5) to 5.5	—	±1.0	μA	
Quiescent supply current	I _{VL1}	VIN = VL or GND, IS = 0 A	1.65 to 5.0	VL	—	2.0	μA	
	I _{VH1}	VIN = VL or GND, IS = 0 A	1.65 to 5.0	VL	—	2.0		
	I _{VL2}	VL ≤ VIN ≤ 5.5 V, IS = 0 A	1.65 to 5.0	VL	—	±2.0		
	I _{VH2}	VL ≤ VIN ≤ 5.5 V, IS = 0 A	1.65 to 5.0	VL	—	±2.0		

Note: ON-resistance is measured by measuring the voltage drop across the switch at the indicated current. It depends on the VH voltage.

AC Characteristics (Ta = -40 to 85°C, Input: tr = tf = 2.0 ns, f=10kHz)

VL (VCCA) = 3.3 ± 0.3 V, VCCB = 5.0 ± 0.5 V

Characteristics	Symbol	Test Condition	Min	Max	Unit
Propagation delay time (A → B)	t _{pLH} t _{pHL}	Figures 3 and 5	—	0.12	ns
3-state output enable time (OE or \overline{OE} → B)	t _{pZL}	Figures 4 and 6	—	6.5	
3-state output disable time (OE or \overline{OE} → B)	t _{pLZ}	Figures 4 and 6	—	10.5	

VL (VCCA) = 2.5 ± 0.2 V, VCCB = 5.0 ± 0.5 V

Characteristics	Symbol	Test Condition	Min	Max	Unit
Propagation delay time (A → B)	t _{pLH} t _{pHL}	Figures 3 and 5	—	0.12	ns
3-state output enable time (OE or \overline{OE} → B)	t _{pZL}	Figures 4 and 6	—	8.5	
3-state output disable time (OE or \overline{OE} → B)	t _{pLZ}	Figures 4 and 6	—	12.0	

VL (VCCA) = 2.5 ± 0.2 V, VCCB = 3.3 ± 0.3 V

Characteristics	Symbol	Test Condition	Min	Max	Unit
Propagation delay time (A → B)	t _{pLH} t _{pHL}	Figures 3 and 5	—	0.15	ns
3-state output enable time (OE or \overline{OE} → B)	t _{pZL}	Figures 4 and 6	—	9.5	
3-state output disable time (OE or \overline{OE} → B)	t _{pLZ}	Figures 4 and 6	—	12.0	

Capacitive Characteristics (Ta = 25°C)

Characteristics	Symbol	Test Condition			Typ.	Unit
			VL (V)	VH (V)		
Control input capacitance	C _{IN}		3.3	3.3	3	pF
Switch input/output capacitance	C _{I/O}	SW = OFF	3.3	3.3	10	pF

DC Test Circuits

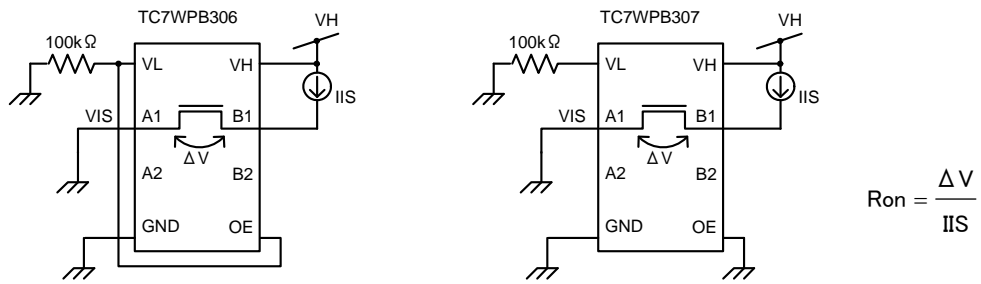


Figure 2 ON-resistance Test Circuits

AC Test Circuits

- tpLH,HL

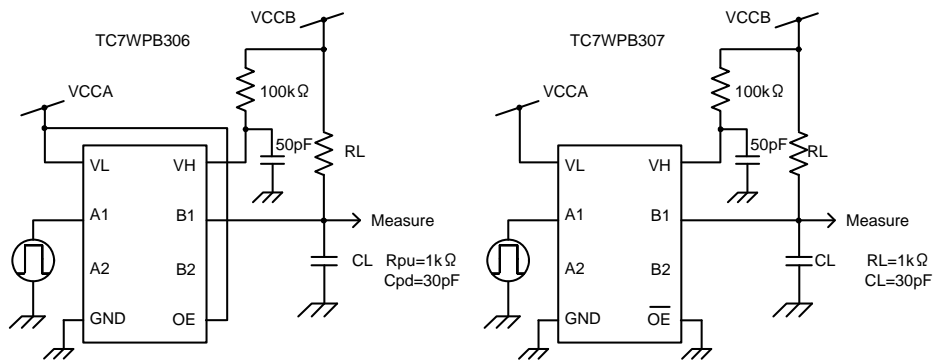


Figure3 tpLH,tpHL Test Circuits

- tpLZ,ZL

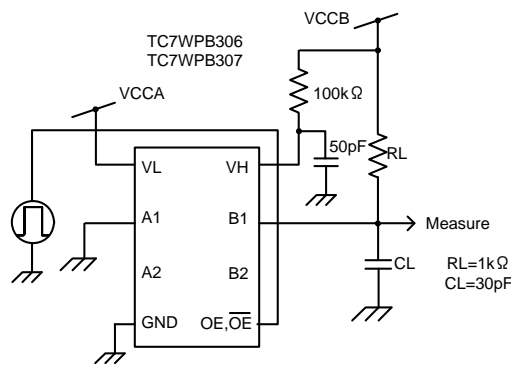


Figure4 tpLZ,tpZL Test Circuits

AC Waveform

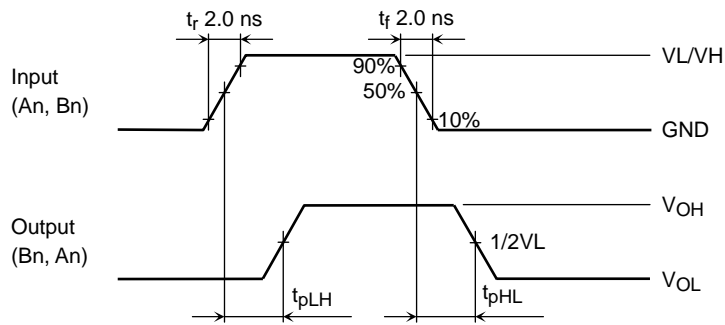


Figure5 tpLH,tpHL

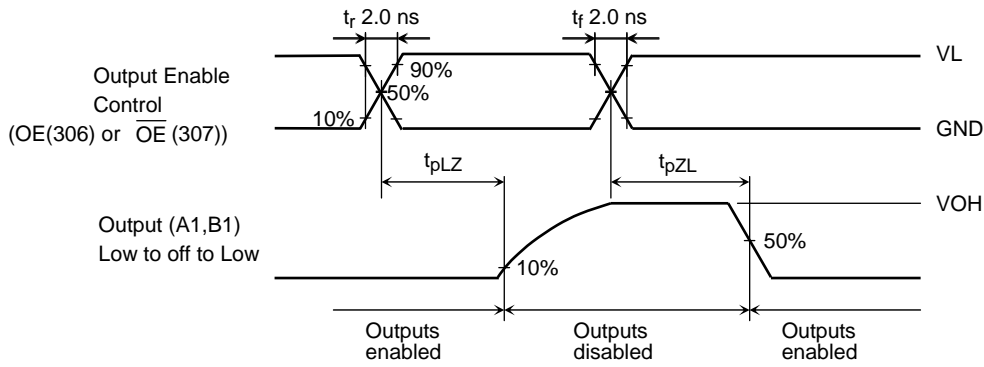


Figure6 tpLZ,tpZL

tpZ Characteristics

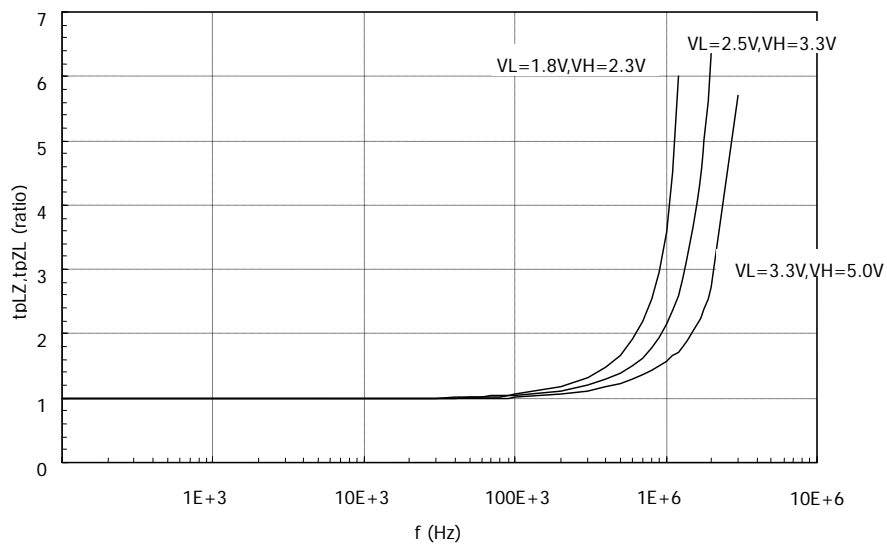


Figure7 tpLZ,tpZL Frequency Characteristic

This figure shows the ratio of delay time for tpLZ and tpZL at the frequency characteristic of OE or /OE when tpLZ and tpZL at the OE or /OE frequency by 10kHz are assumed to be one.

Level Shift Function (Used Pull-up Resistance)

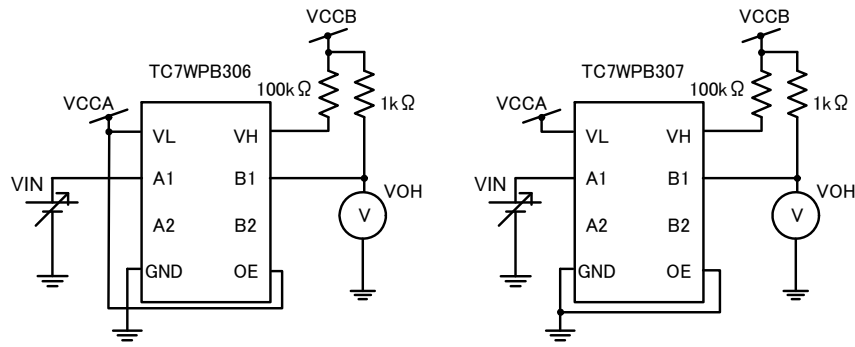


Figure8 Test Circuits

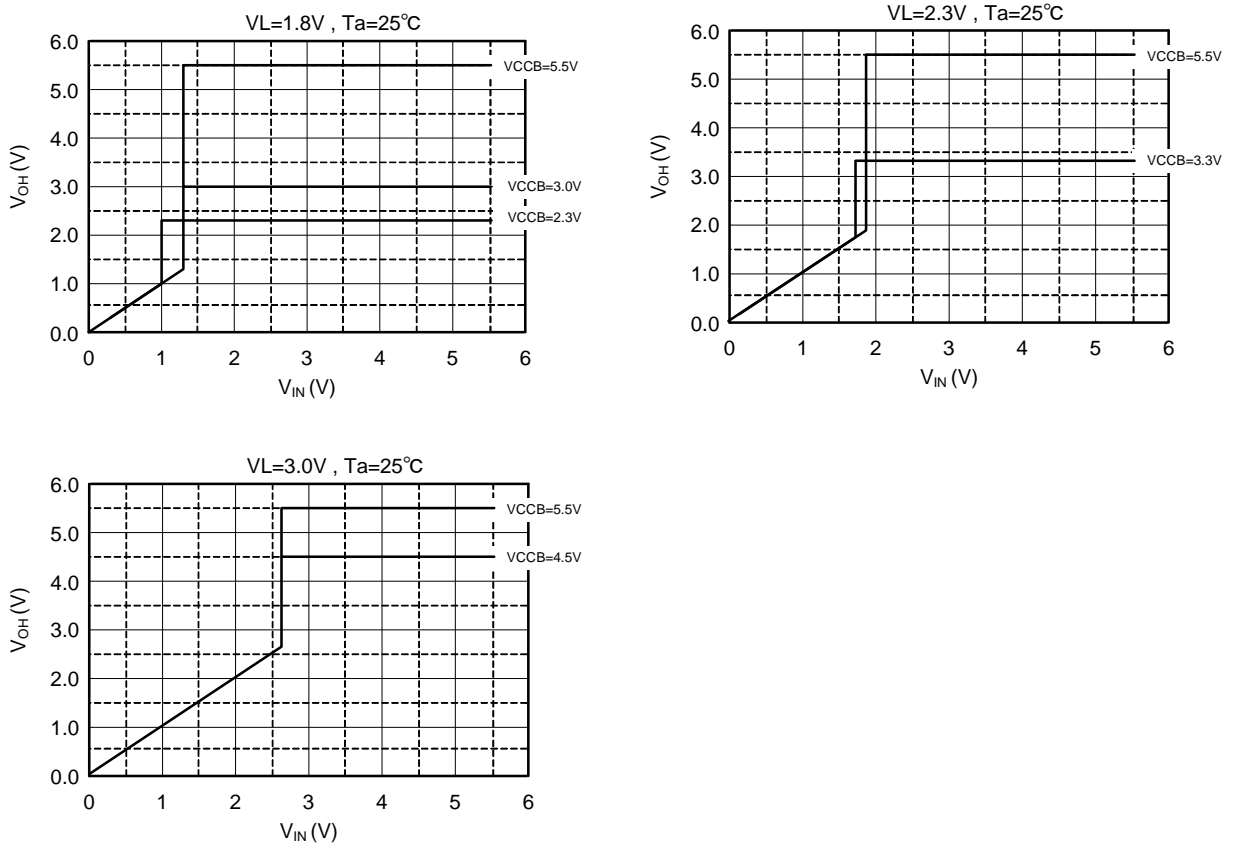


Figure9 Input/Output Characteristics (Typ.)

Level Shift Function (Unused Pull-up Resistance)

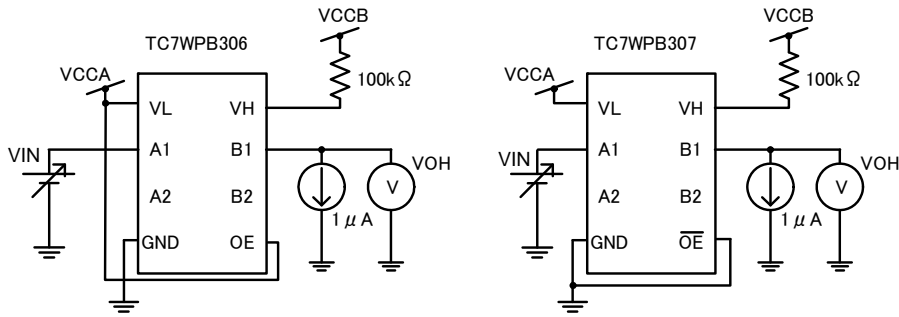


Figure 10 Test Circuits

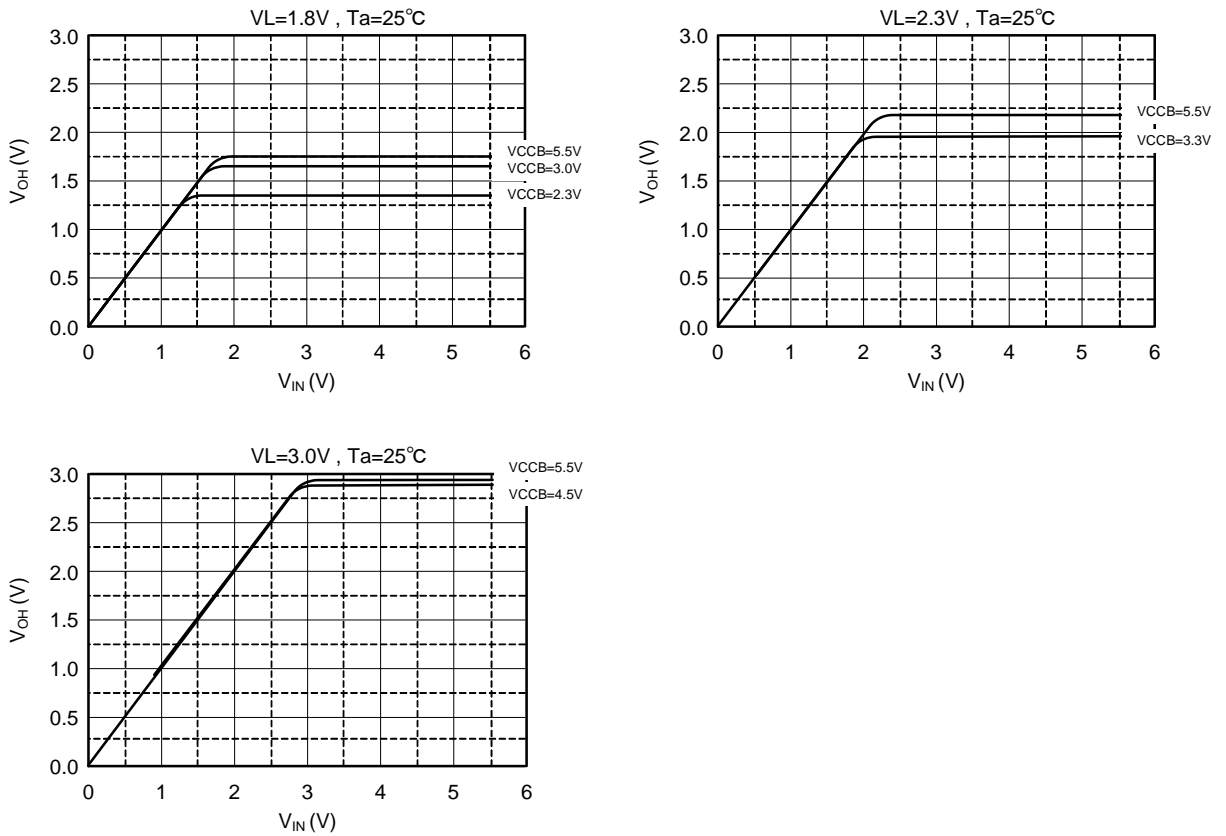
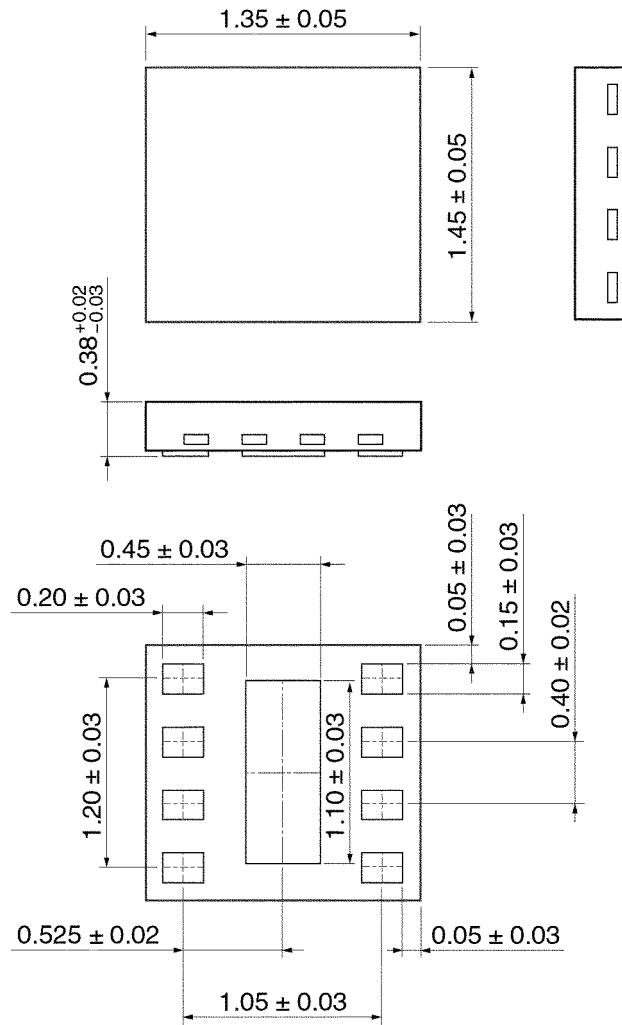


Figure11 Input/Output Characteristics (Typ.)

Package Dimensions

CSON8-P-0.4

Unit: mm

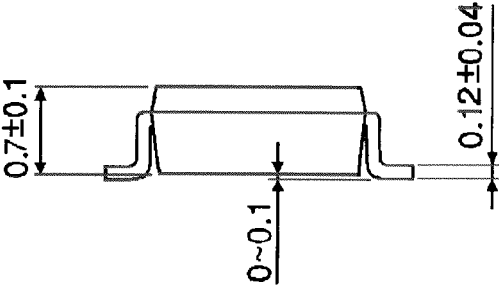
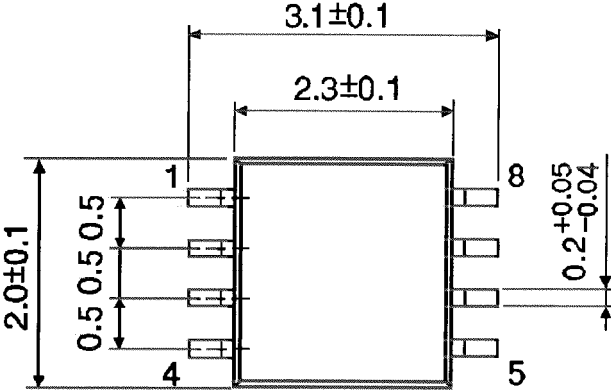


Weight: 0.002 g (typ.)

Package Dimensions

SSOP8-P-0.50A

Unit : mm



Weight: 0.01 g (typ.)

RESTRICTIONS ON PRODUCT USE

- Toshiba Corporation, and its subsidiaries and affiliates (collectively "TOSHIBA"), reserve the right to make changes to the information in this document, and related hardware, software and systems (collectively "Product") without notice.
- This document and any information herein may not be reproduced without prior written permission from TOSHIBA. Even with TOSHIBA's written permission, reproduction is permissible only if reproduction is without alteration/omission.
- Though TOSHIBA works continually to improve Product's quality and reliability, Product can malfunction or fail. Customers are responsible for complying with safety standards and for providing adequate designs and safeguards for their hardware, software and systems which minimize risk and avoid situations in which a malfunction or failure of Product could cause loss of human life, bodily injury or damage to property, including data loss or corruption. Before creating and producing designs and using, customers must also refer to and comply with (a) the latest versions of all relevant TOSHIBA information, including without limitation, this document, the specifications, the data sheets and application notes for Product and the precautions and conditions set forth in the "TOSHIBA Semiconductor Reliability Handbook" and (b) the instructions for the application that Product will be used with or for. Customers are solely responsible for all aspects of their own product design or applications, including but not limited to (a) determining the appropriateness of the use of this Product in such design or applications; (b) evaluating and determining the applicability of any information contained in this document, or in charts, diagrams, programs, algorithms, sample application circuits, or any other referenced documents; and (c) validating all operating parameters for such designs and applications. **TOSHIBA ASSUMES NO LIABILITY FOR CUSTOMERS' PRODUCT DESIGN OR APPLICATIONS.**
- Product is intended for use in general electronics applications (e.g., computers, personal equipment, office equipment, measuring equipment, industrial robots and home electronics appliances) or for specific applications as expressly stated in this document. Product is neither intended nor warranted for use in equipment or systems that require extraordinarily high levels of quality and/or reliability and/or a malfunction or failure of which may cause loss of human life, bodily injury, serious property damage or serious public impact ("Unintended Use"). Unintended Use includes, without limitation, equipment used in nuclear facilities, equipment used in the aerospace industry, medical equipment, equipment used for automobiles, trains, ships and other transportation, traffic signaling equipment, equipment used to control combustions or explosions, safety devices, elevators and escalators, devices related to electric power, and equipment used in finance-related fields. Do not use Product for Unintended Use unless specifically permitted in this document.
- Do not disassemble, analyze, reverse-engineer, alter, modify, translate or copy Product, whether in whole or in part.
- Product shall not be used for or incorporated into any products or systems whose manufacture, use, or sale is prohibited under any applicable laws or regulations.
- The information contained herein is presented only as guidance for Product use. No responsibility is assumed by TOSHIBA for any infringement of patents or any other intellectual property rights of third parties that may result from the use of Product. No license to any intellectual property right is granted by this document, whether express or implied, by estoppel or otherwise.
- **ABSENT A WRITTEN SIGNED AGREEMENT, EXCEPT AS PROVIDED IN THE RELEVANT TERMS AND CONDITIONS OF SALE FOR PRODUCT, AND TO THE MAXIMUM EXTENT ALLOWABLE BY LAW, TOSHIBA (1) ASSUMES NO LIABILITY WHATSOEVER, INCLUDING WITHOUT LIMITATION, INDIRECT, CONSEQUENTIAL, SPECIAL, OR INCIDENTAL DAMAGES OR LOSS, INCLUDING WITHOUT LIMITATION, LOSS OF PROFITS, LOSS OF OPPORTUNITIES, BUSINESS INTERRUPTION AND LOSS OF DATA, AND (2) DISCLAIMS ANY AND ALL EXPRESS OR IMPLIED WARRANTIES AND CONDITIONS RELATED TO SALE, USE OF PRODUCT, OR INFORMATION, INCLUDING WARRANTIES OR CONDITIONS OF MERCHANTABILITY, FITNESS FOR A PARTICULAR PURPOSE, ACCURACY OF INFORMATION, OR NONINFRINGEMENT.**
- Do not use or otherwise make available Product or related software or technology for any military purposes, including without limitation, for the design, development, use, stockpiling or manufacturing of nuclear, chemical, or biological weapons or missile technology products (mass destruction weapons). Product and related software and technology may be controlled under the Japanese Foreign Exchange and Foreign Trade Law and the U.S. Export Administration Regulations. Export and re-export of Product or related software or technology are strictly prohibited except in compliance with all applicable export laws and regulations.
- Please contact your TOSHIBA sales representative for details as to environmental matters such as the RoHS compatibility of Product. Please use Product in compliance with all applicable laws and regulations that regulate the inclusion or use of controlled substances, including without limitation, the EU RoHS Directive. TOSHIBA assumes no liability for damages or losses occurring as a result of noncompliance with applicable laws and regulations.